

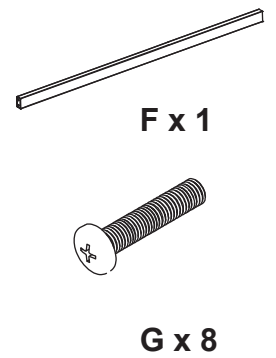
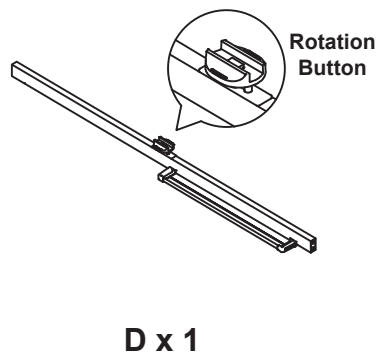
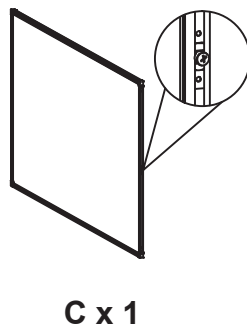
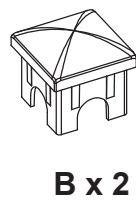
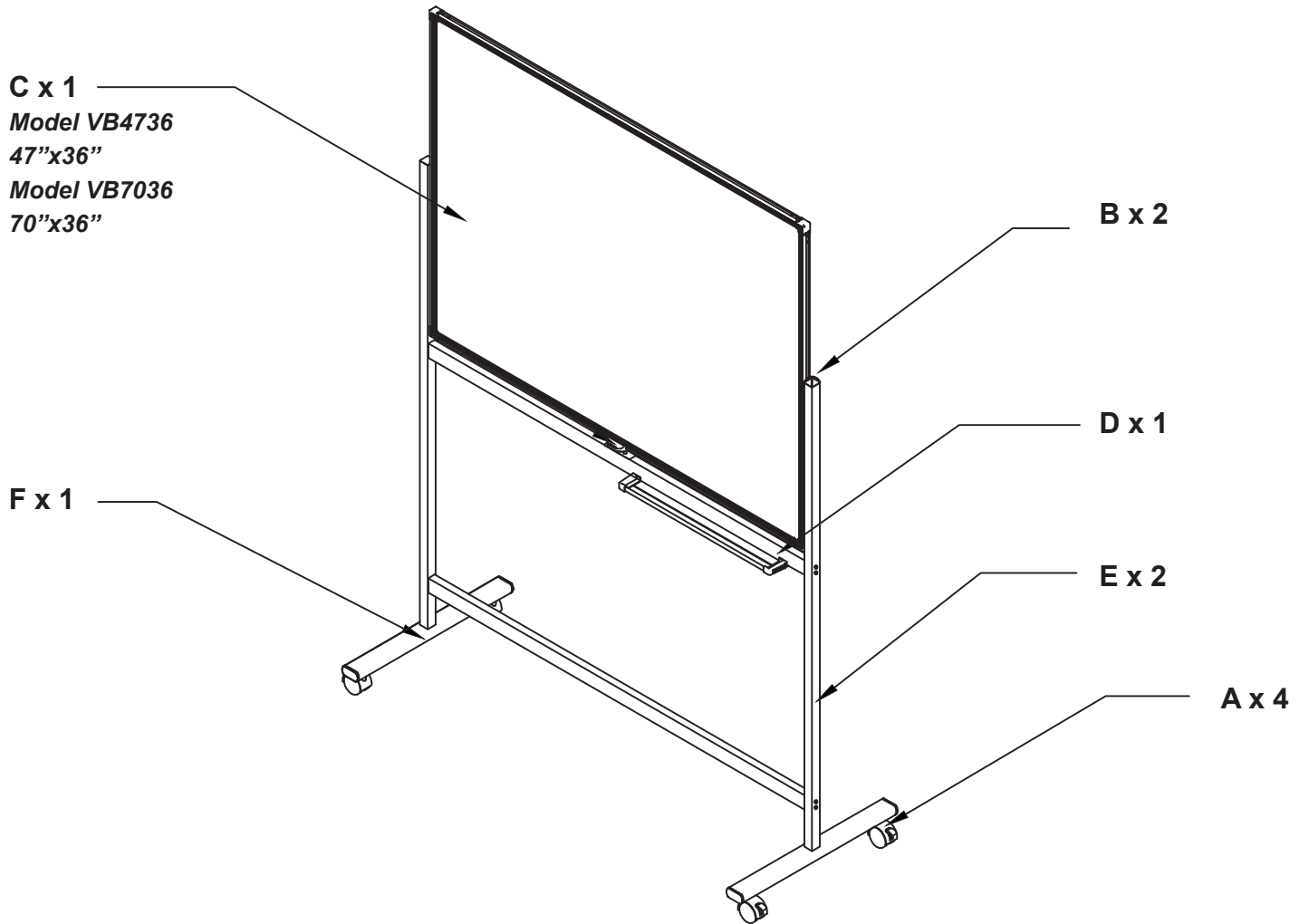
VIOTEK®

VB4736 / VB7036

47"x36"/70"x36" MOBILE WHITEBOARD

User Manual

OVERVIEW



WHITEBOARD ASSEMBLY

Part 1

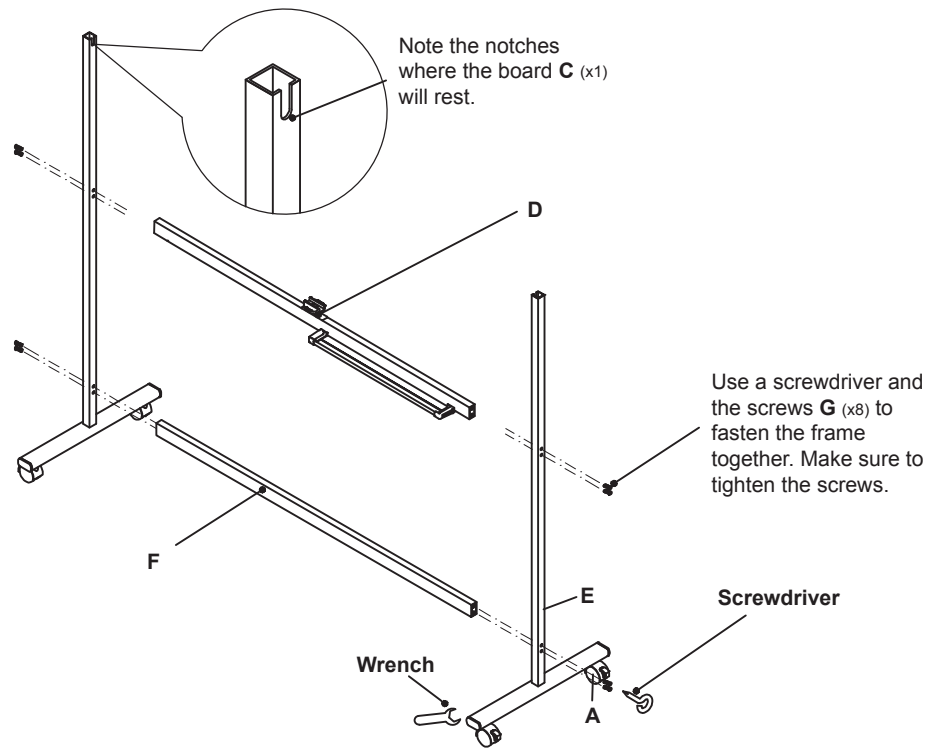
Frame Assembly

Step 1

Use a wrench to tighten the castors **A** into the bottom of frame's sides **E**.

Step 2

Secure the top bridge **D** and bottom bridge **F** between the sides of the frame **E**. Use a screwdriver to tighten up the screws **G**.



During assembly, using at least two people is recommended due to the size of the frame.

Part 2

Adding the Board

Step 1

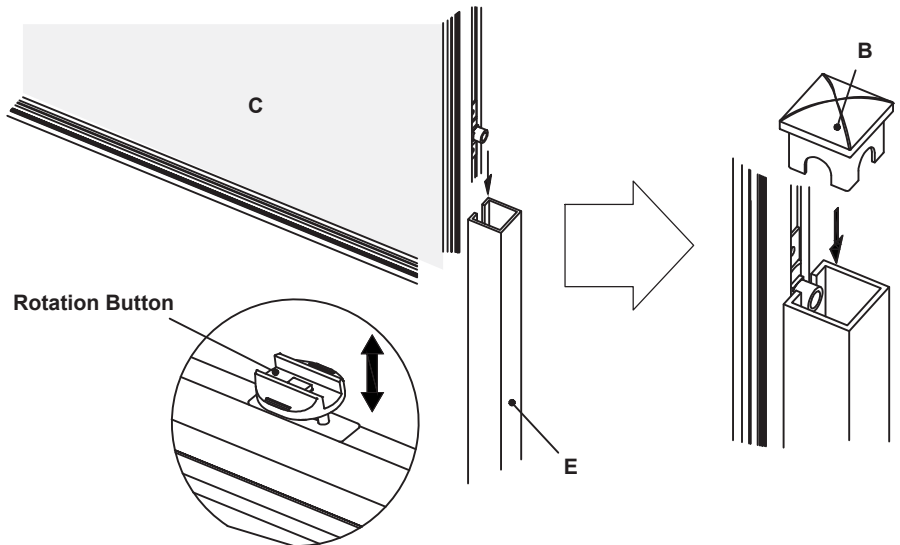
Check to make sure the screws **G** are securely installed then place the board **C** into the frame. Make sure to use the notches in the sides of the frame **E** and the rotation button on top of the bridge **D**.

Step 2

Check to ensure the board **C** sits about halfway into the rotation button on top of the bridge **D**.

Step 3

Install the end caps **B** into the top of the sides of the frame **E**.



Part 3

Usage Instructions

Step 1

Keep the whiteboard at least 18 in. from the wall at all times.

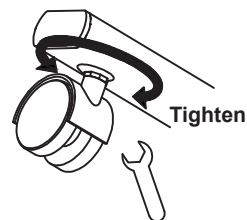
Step 2

If needed, the board can be flipped to the other side without turning the frame. To do this, press the rotation button down, push the top or bottom of the board to rotate it. Let go of the button to secure the board in place.

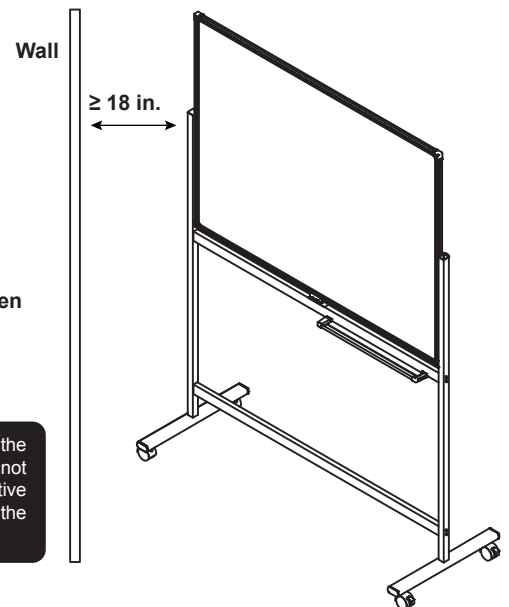
Step 3

To tighten the castors **A**, use the screwdriver and turn clockwise. To loosen the castors **A**, use the screwdriver and turn counterclockwise.

Loosen



When tightening up the castors **A** (x4), take care not to scratch off the protective layer on the bottom of the frame **E** (x2).





One Year Limited Hardware Warranty

Your VIOTEK Mobile Whiteboard ("Product") includes a One Year Limited Hardware Warranty ("Warranty"). The Warranty covers product defects in materials and workmanship under normal use. This Warranty is limited to residents of the United States and Canada only and is available only to original purchasers. This Warranty gives you specific legal rights and you may also have other rights which vary from state to state.

This Warranty starts on the date of your purchase and lasts for one year (the "Warranty Period"). The Warranty Period is not extended if the Product is repaired or replaced. We may change the availability of this limited warranty at our discretion, but any changes will not be retroactive.

Warranty services are provided by Warranty Pro. If a hardware defect arises and a valid claim is received within the Warranty Period, at its option and to the extent permitted by law, WP will: (1) repair the hardware defect by using new or refurbished parts that are equivalent to new in performance and reliability; or (2) exchange the Product with a product that is new or refurbished which is substantially equivalent to the original product. This Warranty is for one replacement only of like-items and does not cover items out of production if the product is no longer made or stocked. This Warranty is not assignable or transferable. The original purchaser may call WP's toll-free number at 1-844-299-0625 for service request.

When a product or part is exchanged, any replacement item becomes your property and the replaced item becomes WP's property. This warranty only covers technical hardware defectiveness during the warranty period and under normal use conditions. WP does not warrant uninterrupted or error-free operation of this Product.

This Warranty does not cover any damage due to: (a) transportation; (b) storage; (c) improper use; (d) failure to follow the product instructions or to perform any preventive maintenance; (e) modifications; (f) unauthorized repair; (g) normal wear and tear; or (h) external causes such as accidents, abuse, or other actions or events beyond our reasonable control.

Important: Do not disassemble the Product. Disassembling the Product will void this Warranty. Only WP or a party expressly authorized by WP should perform service on this Product.

DISCLAIMER OF WARRANTY: THE REMEDIES DESCRIBED ABOVE ARE YOUR SOLE AND EXCLUSIVE REMEDIES AND OUR ENTIRE LIABILITY FOR ANY BREACH OF THIS LIMITED WARRANTY. OUR LIABILITY SHALL UNDER NO CIRCUMSTANCES EXCEED THE ACTUAL AMOUNT PAID BY YOU FOR THE DEFECTIVE PRODUCT, NOR SHALL WE UNDER ANY CIRCUMSTANCES BE LIABLE FOR ANY CONSEQUENTIAL, INCIDENTAL, SPECIAL OR PUNITIVE DAMAGES OR LOSSES, WHETHER DIRECT OR INDIRECT.

SOME STATES DO NOT ALLOW THE EXCLUSION OR LIMITATION OF INCIDENTAL OR CONSEQUENTIAL DAMAGES, SO THE ABOVE LIMITATION OR EXCLUSION MAY NOT APPLY TO YOU.

THE DURATION AND REMEDIES OF ALL IMPLIED WARRANTIES, INCLUDING WITHOUT LIMITATION THE WARRANTIES OF MERCHANTABILITY AND FITNESS FOR A PARTICULAR PURPOSE ARE LIMITED TO THE DURATION OF THIS EXPRESS LIMITED WARRANTY.